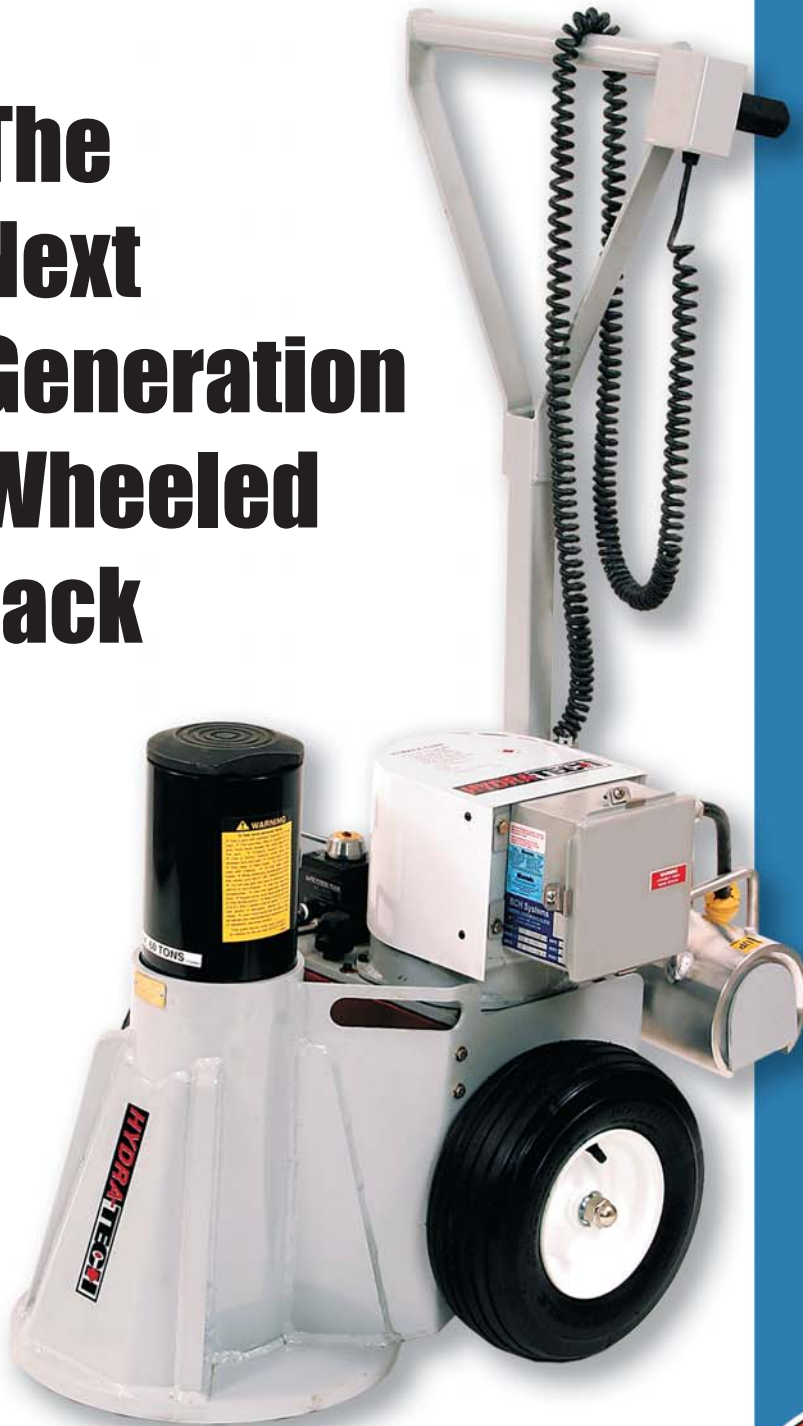


BLACK JACK

The Next Generation Wheeled Jack



Printed In Canada

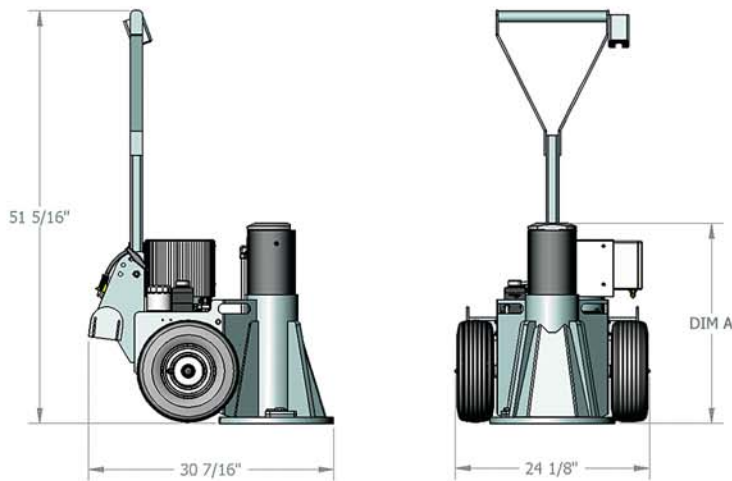
- 60, 100 & 175 Ton Capacity (air or electric)
- Balanced For Easy Maneuverability
- Pneumatic Tires
- Solid Steel Frame
- Aluminum Load Holding Rings & Extensions - Stored On Jack
- Easy Maintenance

**Designed for Railway,
Mining & Construction**

Hydra-Tech International
6060 - 86th Avenue SE, Calgary, Alberta T2C 4L7 Canada
Phone: (403) 720-7740 Fax: (403) 720-7758 Toll Free 1-866-720-5225
Email: sales@hydra-tech.net Web: www.hydra-tech.net



BLACK JACK



CAPACITY TONS	STROKE	DIM A
60	13	21 ⁷ / ₈
60	16	24 ⁷ / ₈
100	16	26 ⁷ / ₈
100	18	28 ⁷ / ₈
100	22*	46 ⁷ / ₈
100	28	38 ⁷ / ₈

* RESTRICTED STROKE



- Unitized design for those situations where the versatility of a Mod-U-Lift Jack is not required.
- Has the same customer proven design characteristics and components as the industry leading Mod-U-Lift Jacking system.
- Air or Electric driven 10,000 psi hydraulic pump.
- 60, 100 & 175 Ton Capacity.
- Hydra-Tech "Black Jack" will accept existing Hydra-Tech Mod-U-Lift Jack accessories (i.e. Load Holding Rings, Extensions, Saddles, etc.)
- With Load Holding Rings, the Jack can mechanically support up to 2.5 times its rated capacity.
- Extensions are available to increase the effective retracted height of the unit up to an additional 20".
- Optional Swivel Saddle reduces the adverse effects of angled jacking surfaces up to 5°.

Hydra-Tech International
 6060 - 86th Avenue SE, Calgary, Alberta T2C 4L7 Canada
 Phone: (403) 720-7740 Fax: (403) 720-7758 Toll Free 1-866-720-5225
 Email: sales@hydra-tech.net Web: www.hydra-tech.net

